

**Double acting-double orifice air valve PN 16**  
**Inlet flange to ISO 7005-2 (EN 1092-2: 1997, DIN 2501)**

**Use:**  
 For water (not sewage) and neutral liquids to max. 90°C  
 Working pressure: min. 0.1 bar  
 max. 16 bar

**Tests:**  
 Hydraulic test: 1.5 x PN

**Options:**  
 Isolating; Gate valve  
 Butterfly valve

**Approvals:**  
 BS specifications  
 Malaysian specifications

**Materials:**

Body, bonnet, cowl	Ductile iron GGG-50 to DIN 1693 (BS 2789 Grade 500-7)
Coating	Electrostatically applied epoxy resin internally and externally to DIN 30677 (WIS 4-52-01) 250µ
Gasket, seal ring, sealing face	EPDM rubber to BS 2494 type W
Orifice cover, orifice bracket	Nylon, injection moldings of glass filled A190 Nilon
Washer, nut, bottom head cap screw, socket head cap screw, pin, washer, pan head machine screw	Stainless steel 304 to BS 970
Seat ring, guide top, guide bottom, guide ring, large orifice, small orifice	ABS (acrylonitrile butadiene styrene) is a polymer of very high impact strength
Plug	Plastic

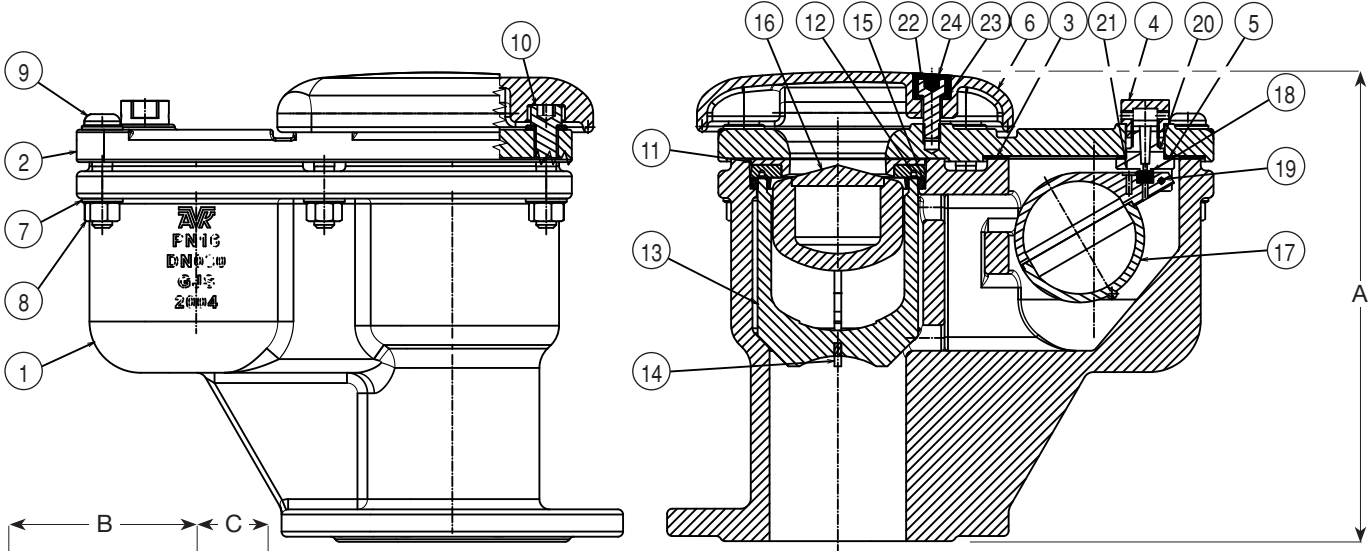


For further specifications, see section "Technical information".  
 The designs, materials and specifications shown are subject to change without notice due to our continuing programme of product development.

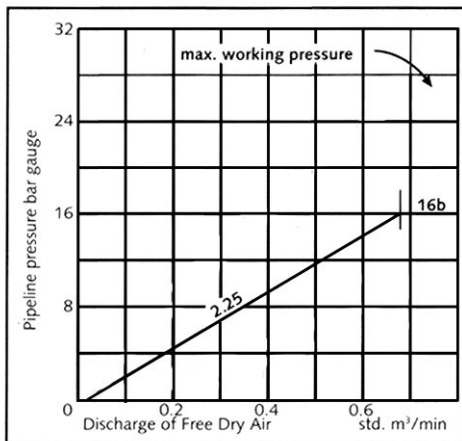
**Double acting-double orifice air valve PN 16**  
**Inlet flange to ISO 7005-2 (EN 1092-2: 1997, DIN 2501)**

**Component list:**

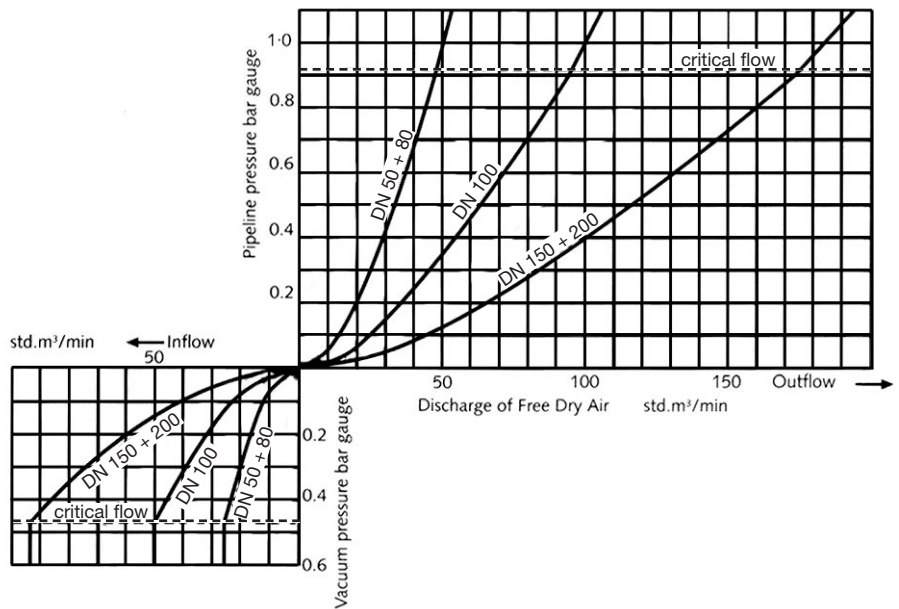
- |                  |                           |                   |                            |
|------------------|---------------------------|-------------------|----------------------------|
| 1. Body          | 7. Washer                 | 13. Guide top     | 19. Pin                    |
| 2. Bonnet        | 8. Nut                    | 14. Guide bottom  | 20. Orifice bracket        |
| 3. Gasket        | 9. Bottom head cap screw  | 15. Guide ring    | 21. Pan head machine screw |
| 4. Orifice cover | 10. Socket head cap screw | 16. Large orifice | 22. Socket head cap screw  |
| 5. Gasket        | 11. Seat ring             | 17. Small orifice | 23. Washer                 |
| 6. Cowl          | 12. Seal ring             | 18. Sealing face  | 24. Plug                   |



**Air discharge - Small orifice valves**



**Air discharge - Large orifice valves**



Ref. nos.	DN	A mm	B mm	C mm	D mm	Weight kilos
851-050-40-111-000	50	275	220	83	165	24
851-080-40-111-000	80	275	220	83	165	24
851-100-40-111-000	100	280	248	98	195	30
851-150-40-111-000	150	344	284	115	230	44
851-200-40-111-000	200	344	284	115	230	44

